

ESX 83

Two-Channel-Sorter
for sorting of batches

ESX 83



ESX 83 – Two-Channel-Sorter

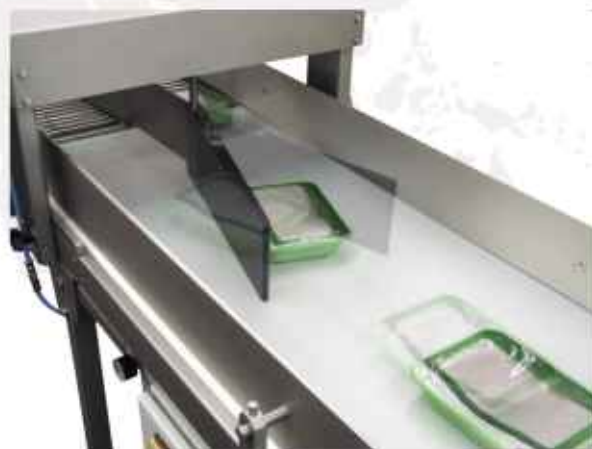
The Two-Channel-Sorter assures the optimisation and completion of your packaging line by sorting the arriving packages into preset batches.

The concept is convincing: A conveyor belt is transporting the preselected amount of packages to one channel of the packing station. As soon as the preset amount is reached, the sorter switches automatically and sends the next batch into the second channel. Product holdups and failures in the pack amount are now effectively excluded. The easily accessible total printer ESD 104 (optionally) provides you after each batch the respective total label for the box. The high speed of the packaging line can be kept up with this sorter also at the end of the line.

The Two-Channel-Sorter will be produced custom-made for each individual production line. Length of the transport conveyors, equipment of the sorter with a roller conveyor – all that considers optimally the production specific requirements.



The total printer ESD 104 prints after each batch the respective total label for the box.

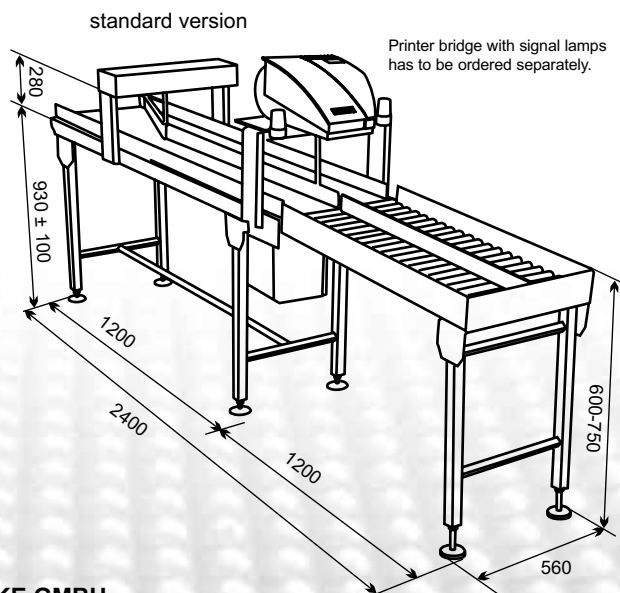


After reaching the preset amount of packs the sorter switches automatically and sends the next batch in the second channel.

Pack size	(min.) L 80 x B 40 x H 10
for standard version	(max.) L 250 x B 200 x H 120
<i>For bigger packs tests are necessary. Before confirmation of order a form sheet about the packs and the performance has to be completed</i>	
Pack weight	max 3 kg
Performance	up to 120 packs / min.
Conveyor speed	10 - 48 m / min.
Mains voltage	230 V / 50 – 60 Hz
Mains supply	CEE Plug, 16 A, 3 core cable
Compressed air	6 bar
Protection class	IP 54, Class I
Material	Stainless steel
Operating temperature	+0 °C to +40 °C

Printer ESD 104 (optionally)

Standard label reel core	76 mm
Label reel outside diameter	210 mm, inside wound
Print width	80 / 104 mm
Print resolution	8 / 12 Dots/mm
Label width	22 - 110 mm
Label length	15 - 480 mm
Print speed	100 mm/sec
Label-take sensor	yes



ESPERA-WERKE GMBH

Postfach 10 04 55 • 47004 Duisburg
 Tel. ++49(0)203/30 54 - 0 • Fax ++49(0)203/30 54 - 275
 info@espera.com • www.espera.com