

ES 9600 C-Labeller



ES 1000
ES 2000
ES 3000
ES 4000
ES 5000
ES 6000
ES 7000
ES 8000
ES 9000

Espera®



ES 9600 C-Labeler

Fully automatic labelling over three sides

- Compact and space-saving design
- Design housing manufactured mainly from stainless steel
- Around the edge, closely and exactly placed labels



The easy change of label roll with automatic paper feed reduces change-over times to a minimum.

Also our thermal transfer printer with an optimised colour ribbon reduces change-over times as the printer can be turned down easily for ribbon or label roll change.



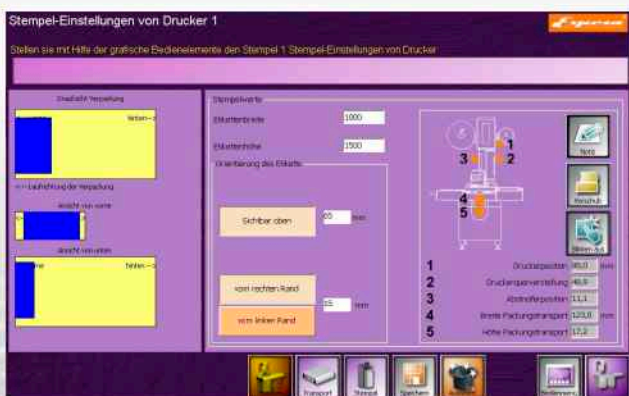
The application process:

The packages will be fed to the C-Labeller by driven guidings: Therefore not only a stabilisation but also an edge parallel infeed to the labelling station is guaranteed.



The stable guidance of the package makes sure that the label will be placed exactly and that the product is properly labelled and such labels are pressed on by brushes on the top, front and bottom.

After entering label and package dimensions, the software calculates automatically the correct settings and displays them on the screen. Now the settings can be done by the user in a few seconds only.



Option: Thermal transfer printer with a print width of 104 mm



Our C-Labeler contributes to the value as well as to the uniqueness of your products.

The big label offers a wide range for design and information and creates herewith advantages in competition.

New possibilities for your product presentation are possible by stacked packages with a high recognisability of the label information.

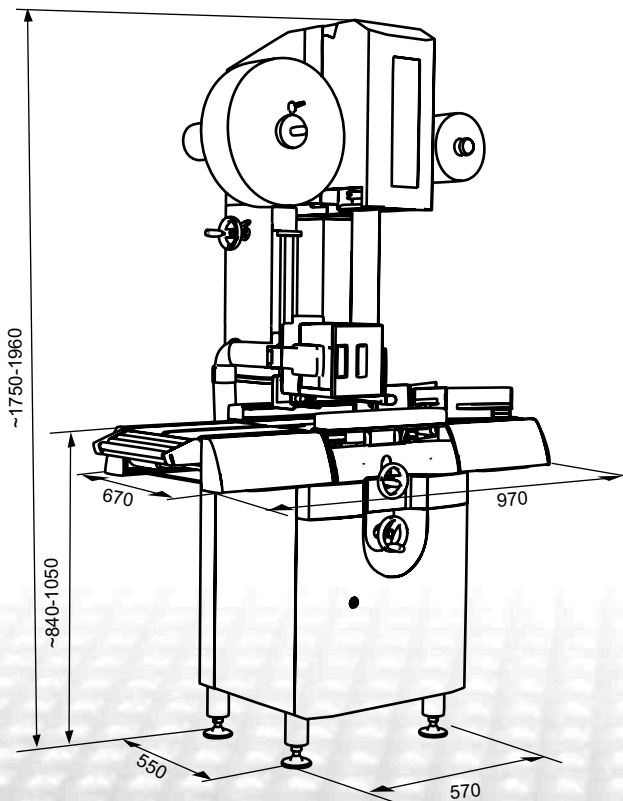
All information on one label

This reduces the change of label roll and avoids misinformation. The label will be applied over three sides: thus closes the package, protects it, avoids repackaging and increases additionally the stability of your package. Furtheron your products gain an extraordinary representative look.

The new Stand-Alone-Solution works perfectly in use with ESPERA weigh price labellers or can be integrated in existing production lines.



Model	ES 9600 - C-Labeller
Label Size	min. L 120 x W 50 mm max. L 500 x W 107 mm
Print Speed	up to 200 mm
Labelling Speed	72 m/min
Labelling Performance	up to 100 packs/min. Depending on label length, product attributes and print fields
Label Roll outside Ø	400 mm
Label Length	up to 500 mm
Compressed Air	6 bar
Package Size	min. L 150 x W 65 x H 20 mm max. L 370 x W 280 x H 200 mm
Terminal	ESC with touch screen
Option	Thermal transfer printer
Voltage	180 V – 255 V / 50 – 60 Hz



Terminal with touch screen



ESPERA-WERKE GMBH

Postfach 10 04 55 • 47004 Duisburg

Tel. ++49(0)203/30 54 - 0 • Fax ++49(0)203/30 54 - 275

info@espera.com • www.espera.com