

ES 9300

Print & Apply System
up to 65 packs/min.



ES 1000

ES 2000

ES 3000

ES 4000

ES 5000

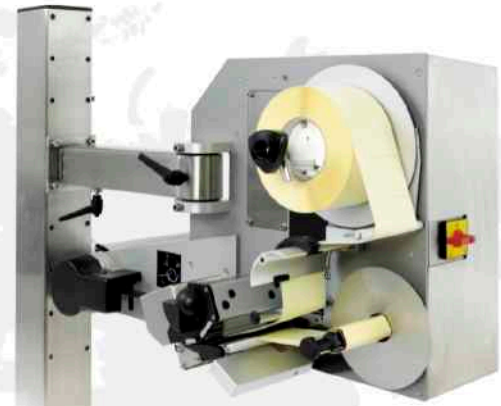
ES 6000

ES 7000

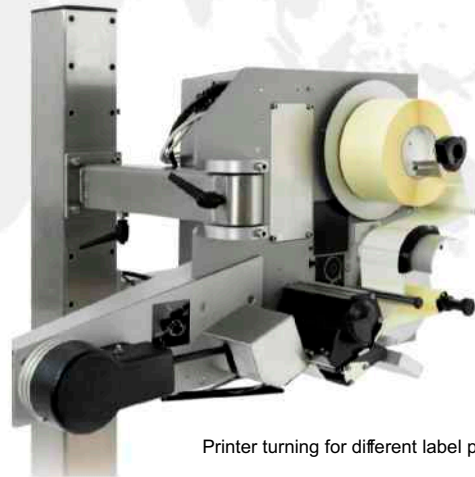
ES 8000

ES 9000

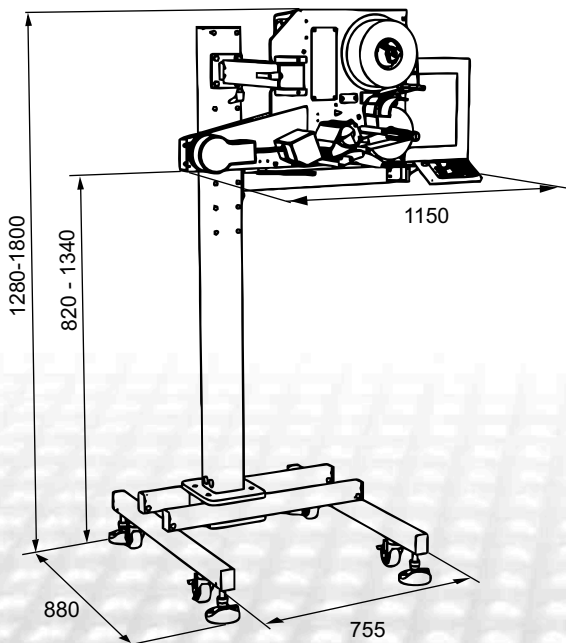
Model	ES 9300
Terminal	ESC with touch screen
User interface	ESMS
Performance	up to 65 packs/min.
Pack height compensation	automatic up to 160 mm
Product detection	light barrier
12 Dot/mm / 300 dpi	yes
Printing speed top printer	max. 250 mm/s
Label minimum W x L	37 x 30 mm
Label maximum W x L	104 x 120 mm
Label reel core	76 mm
Label reel outside diameter	210 mm
Label position lateral to package	manual
Printer turning 90°	manual
Interface RS 232	yes
Ethernet	yes
Memory	SSD
USB	yes
Mains voltage	180 V up to 255 V / 50 - 60 Hz
Operating temperature	-10 °C to +40 °C
Construction	rust resistant



height adjustable printer



Printer turning for different label position



splash water protected terminal ESC 964, IP 65

ESPERA-WERKE GMBH

Postfach 10 04 55 • 47004 Duisburg
 Tel. ++49(0)203/30 54 - 0 • Fax ++49(0)203/30 54 - 275
 info@espera.com • www.espera.com

796 001D / 1.0 / 2012-11 The photographs show specific machine configurations. Subject to technical modifications.