

Espera[®]

ES 9100

Print & Apply System



ES 1000

ES 2000

ES 3000

ES 4000

ES 5000

ES 6000

ES 7000

ES 8000

ES 9000

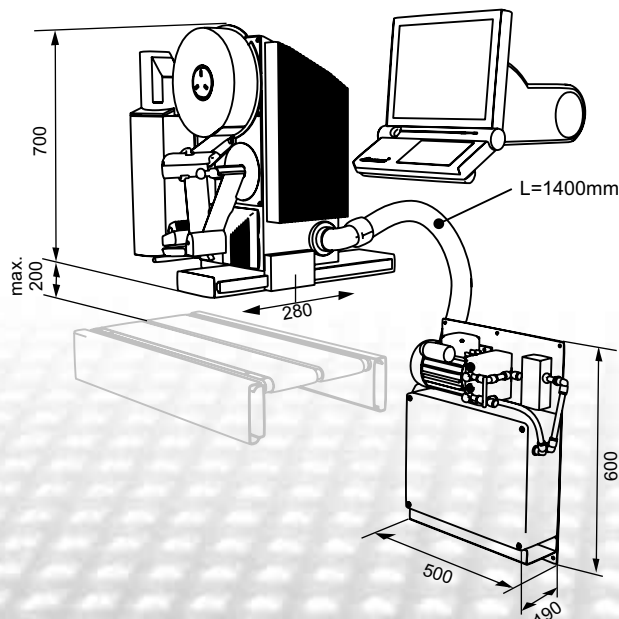
Model	ES 9100
Terminal	ESC 924 with touch screen
User interface	ESMS
Labelling output packs/min	up to 120
Infeed	separated packages
Minimum distance	500 ms pulsing
Product detection	light barrier
8 Dot/mm/200 dpi	yes
12 Dot/mm/300 dpi	yes
Label passage	110 mm
Maximum printing speed	300 mm/s
Print head service life optimised	yes
Print width	80/104 mm
Label minimum W x L	37 x 37 mm
Label maximum W x L	110 x 200 mm
Label reel core	76 mm
Label reel outside diameter	285 mm
RS 232	yes
RS 485	optional
Ethernet	yes
Internal analogue modem	yes
PS/2 connection / parallel	yes
Mains voltage	190 V up to 240 V / 50 - 60 Hz
Operating temperature	-10 °C up to +40 °C
Lateral labelling	on demand
Protection cap for printer	optional
TTF	optional



The high performance print head guarantees an exact print design at highest speed.



User terminal with touch screen



The supply unit of the ES 9100 can be installed at any position.

ESPERA-WERKE GMBH

Postfach 10 04 55 • 47004 Duisburg
 Tel. ++49(0)203/30 54 - 0 • Fax ++49(0)203/30 54 - 275
 info@espera.com • www.espera.com