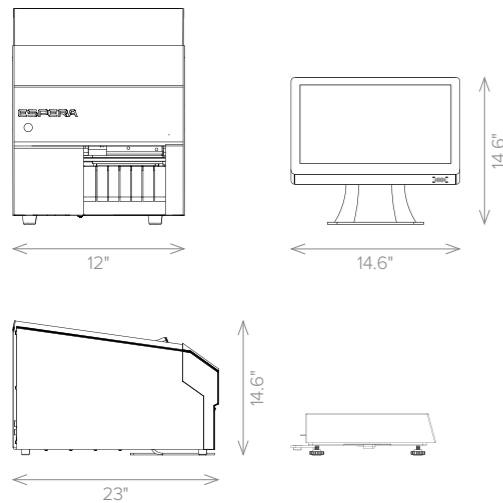
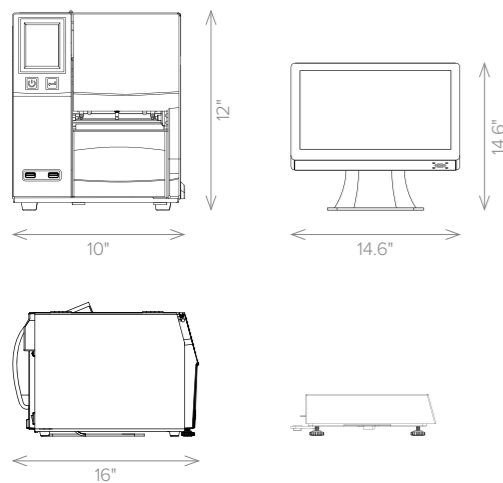


ES-M 1000



<b>Terminal</b>	15.6" full glass touch-terminal
<b>Machine software</b>	Think4Industry
	13/26 lb (0.005/0.01 lb)
	6/13/16 lb (0.002/0.005/0.01 lb)
<b>Weighing technology</b>	30/60 lb (0.01/0.02 lb)
	60/130 lb (0.02/0.05 lb)
<b>Performance</b>	Up to 40 packs/min.
<b>Label roll outer diameter</b>	8"
<b>Label roll core diameter</b>	3"
<b>Printing resolution</b>	300 dpi
<b>Printing speed</b>	12"/sec.
<b>Printing width</b>	4"
<b>Label size – maximum (L x W, inch)</b>	7.5" x 4"
<b>Label size – minimum (L x W, inch)</b>	1.4" x 1.4"
<b>Printing technology</b>	Thermal direct, thermal transfer (available with ultrasonic light barrier)
<b>Parallel printer connection</b>	Up to 4 printer
<b>USB</b>	Yes
<b>Storage medium</b>	SSD
<b>Operation temperature</b>	14°F – 104°F
<b>Power supply</b>	180V – 255V, 50/60Hz
<b>Water protection scale, terminal, printer</b>	IPX5

ES-M 2000



<b>Terminal</b>	15.6" full glass touch-terminal
<b>Machine software</b>	Think4Industry
	13/26 lb (0.005/0.01 lb)
	6/13/16 lb (0.002/0.005/0.01 lb)
<b>Weighing technology</b>	30/60 lb (0.01/0.02 lb)
	60/130 lb (0.02/0.05 lb)
<b>Performance</b>	Up to 40 packs/min.
<b>Label roll outer diameter</b>	8"
<b>Label roll core diameter</b>	3"
<b>Printing resolution</b>	300 dpi
<b>Printing speed</b>	9.8"/sec.
<b>Printing width</b>	4"
<b>Label size – maximum (L x W, inch)</b>	7.5" x 85"
<b>Label size – minimum (L x W, inch)</b>	1.4" x 1.4"
<b>Printing technology</b>	Thermal direct, thermal transfer, Linerless (no ultrasonic light barrier)
<b>Parallel printer connection</b>	Up to 2 printer
<b>USB</b>	Yes
<b>Storage medium</b>	SSD
<b>Operation temperature</b>	14°F – 104°F
<b>Power supply</b>	180V – 255V, 50/60Hz
<b>Water protection scale, terminal</b>	IPX5
<b>Water protection printer</b>	IP20

ONE STEP AHEAD.

ESPERA-WERKE GMBH  
Moltkestraße 17 - 33  
47058 Duisburg  
Germany

Telephone: +49 203 30 54 - 0  
Fax: +49 203 30 54 - 275  
E-Mail: info@espera.com

[www.espera.com](http://www.espera.com)



WEEE-Reg.-Nr. DE 45025423

ESPERA NOVA ES-M

The Manual Weigh Price Labelling System – digital, flexible intuitive.

# FOR THOSE WHO DON'T WANT TO WAIT FOR THE FUTURE – DISCOVER THE NEW GENERATION IN MANUAL WEIGH PRICE LABELLING ESPERA NOVA

## ES-M

The new ES-M labelling system sets completely new standards in terms of flexibility, stability and service-friendliness and can be used as a stand-alone printer, total printer or for weight-related goods labelling. Combined with smart, digital functions of the Think4Industry machine software, machine operation is easier and more intuitive than ever before.

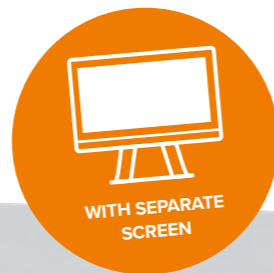


Individual adjustment and balancing of printing force for a perfect label print.

Weight ranges available up to:  
6/13/16/26/30/60/130 lb.



Unique light barrier bar for automatic recognition of different label sizes and label geometries.



Stable and hygienic stainless-steel machine housing including all inside positioned cable connections.

The ES-M Manual weighing- and labelling system convinces with a unique high-performance printing technology up to 12"/sec.

The motor-driven unwinding technology to release the backing paper, ensures maximum reliability and precision for the label application process.

The separate 15.6" display ensures maximum user ergonomics.



**ESPERA**

## SMART TECHNOLOGY INSIDE

We adapt our machines to your production requirements and not vice versa!

### Think4Industry

The smart machine software for an easy and intuitive machine operation.

### SmartHead

Keep a realtime overview of the printing quality of the thermal bar as well as the remaining runtime by using the unique *SmartHead* functionality as a tool to improve your quality control.



### ES-M 2000

Optionally also available as an economical version with plastic housing.

