

*Espera*<sup>®</sup>

# Multi Roller Printer





## Functionality and Design:

### ESPERA'S Multi Roller Printer.

Maximum performance within a confined space – up to five different labels can be selected, printed and applied with the use of only one printer: This kind of mode allows you to consider optimally the individual label requirements of the retail market.



# ESPERA®



The compact multi roller printer demonstrates an innovative milestone in the construction of ESPERA. Specifically designed for the ever-changing market this machine offers high performance and functionality with minimum space.

With only one printer and labelling system, but with 5 fan-shaped cassettes for different labels, this machine can label goods without loss of time for article or label change.

Thereby one product can be labelled individually non-stop or different products will be labelled with different labels: The multi roller printer opens up new possibilities for an efficient and space-saving weigh price labelling system –all at a convincing price performance ratio.

The multi roller printer is available in combination with the weight depending price labeller ES 7000 or with the print & apply solution ES 9000, with performances up to 120 packages per minute.





**Efficiency  
with minimum space**



**ES 7800**



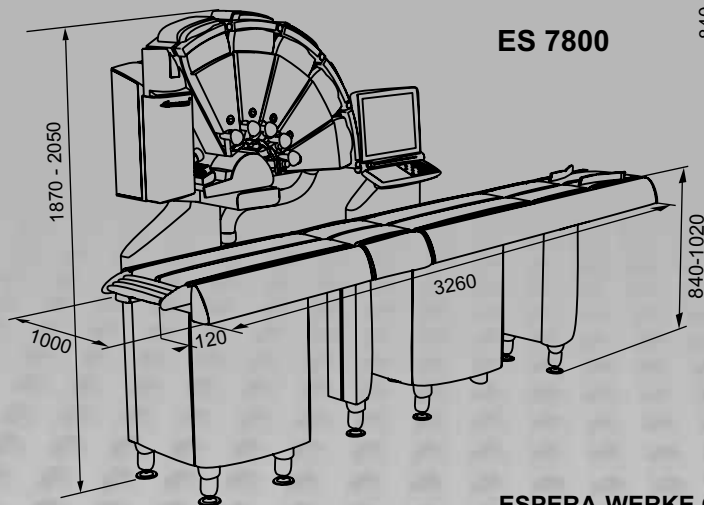
### **Flying cassette change**

Even during the operation a cassette can be taken out and loaded with a new label roll without any loss of production.

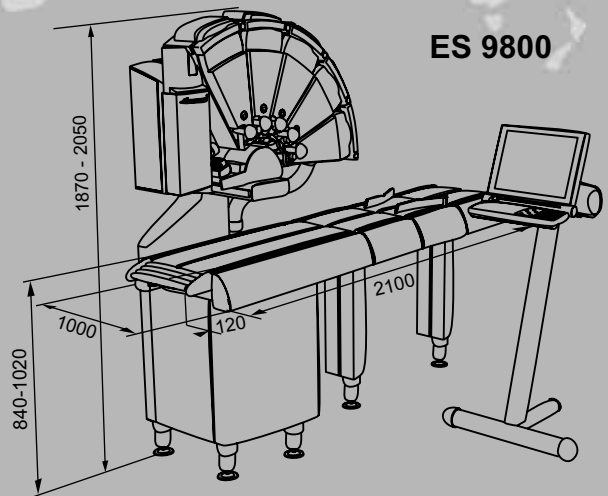




| Model                             | Multi roller printer        |
|-----------------------------------|-----------------------------|
| Performance ES 7800               | up to 120 pack./minute      |
| Performance ES 9800               | up to 120 pack./minute      |
| Infeed                            | separated packages          |
| Minimum distance                  | 500 ms pulsing              |
| Product detection                 | light barrier               |
| 12 Dot/mm/300 dpi                 | yes                         |
| Label passage                     | 110 mm                      |
| Maximum printing speed            | 300 mm/s                    |
| Print head service life optimised | yes                         |
| Print width                       | 104 mm                      |
| Label minimum W x L               | 37 x 37 mm                  |
| Label maximum W x L               | 110 x 200 mm                |
| Label rotation                    | 110 x 110 mm                |
| Label reel core                   | 76 mm                       |
| Label reel outside diameter       | 210 mm                      |
|                                   | inside winding preferred    |
| Pack height compensation          | automatic                   |
| Cross settings                    | automatic                   |
| RS 232                            | yes                         |
| RS 485                            | optional                    |
| Ethernet                          | yes                         |
| Remote Maintenance / Internet     | yes                         |
| PS/2 connection / parallel / USB  | yes                         |
| Memory                            | Hard disc                   |
| Mains voltage                     | 190 V to 240 V / 50 - 60 Hz |
| Operating temperature             | -10 °C to +40 °C            |
| Compressed air, oil-free          | 6 bar                       |
| Total printer                     | optional                    |
| Multi printer operation           | possible                    |



ES 7800



ES 9800

**ESPERA-WERKE GMBH**

Postfach 10 04 55 • 47004 Duisburg  
 Tel. ++49(0)203/30 54 - 0 • Fax ++49(0)203/30 54 - 275  
 info@espera.com • www.espera.com