

ES 1000

Fast, accurate and flexible labelling systems



ES 1000

ES 2000

ES 3000

ES 4000

ES 5000

ES 6000

ES 7000

ES 8000

ES 9000



All ESPERA machines are constructed and manufactured with more than 50 years experience in the weigh price labelling sector.

Only purchased parts from market leading companies are used for the ESPERA machines. This grants highest precision as well as repeatability. A multitude of patents prove ESPERA's position as a market leader.

As considered for all ESPERA machines also the ES 1000 series has been developed with a special attention on following attributes:

- an optimal and always repeatable labelling result
- easy and clear operability
- highest availability
- maximum work safety
- lowest maintenance effort

In the case of a failure ESPERAs whole infrastructure will be available: The customer hotline, spare parts logistic and the regional service points guarantee a minimum reaction time and arrange for high availability.

ES 1101



Top Labelling

Whether as integrated solution for a packaging machine or whether as a key module on a stand for the production line – these machines convince by their flexibility, easy operation and the manifold application possibilities.



ES 1101
with stand



ES 1101 PN
Integrated in an
ESPERA weigh price labeller



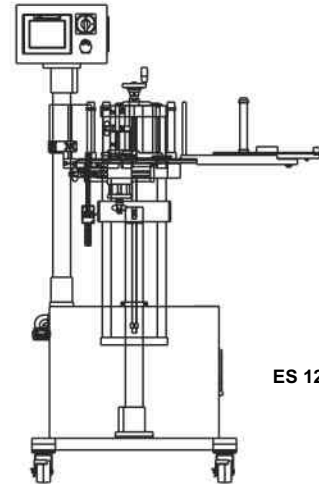
ES 1201 S



Lateral Labelling

ES 1201 S – The model for lateral labelling.

Various options grant an optimal connection to the packaging machine and enable almost unlimited possibilities to make the product unique by an individual look.



ES 1201 S

ES 1210



Fully Automatic Top Labelling

This machine is perfect for all kind of tasks in the food packing branch but of course also for all requirements of other branches; equipped by a two-piece belt, "V" groove for the transport of round and oval products and the complying guides.



ES 1210



Option:
Pneumatically operated labelling arm



ES 1220

Fully Automatic Top and Bottom Labelling

The possibilities of the ES 1200 series are as manifold as the requirements for the labelling of modern packages. These labelling machines can be equipped by top and/or bottom labelling heads to offer a high flexibility for the label application.

The design of the label heads as well as the construction of the whole machine result in a maximum of integration possibilities for different printer or hot foil coding devices.



ES 1220

	ES 1210	ES 1212	ES 1220	ES 1221	ES 12XX
Labelling Heads	1 x top	2 x top	1 x top 1 x bottom	1 x bottom	on request
Variants	Left / Right or Right / Left				
Machine Length*	1300 mm	1600 mm	1500 mm	1500 mm	on request
Amount of Conveyors	1	1	2	2	on request
Conveyor Speed	40 m / min				
Max. Label Width	180 mm				
Label Roll / Core Ø	360 mm / 76 mm				

*Non-standard machines available on request



ES 1250



Fully Automatic Wrap Around Labelling

Some cylindrical products, such as but not limited to sausages, pens, sprays or cartridges can be labelled wrap around only in an optimal way if they are transported horizontally due to their balance point or to the geometry of the head and bottom sides.

For these products the ES 1250 is the perfect machine. The products are transported by a roller conveyor to the labelling station. Thereafter the labels will be applied accurately and parallel to the contours by use of a driven pressure belt.



ES 1250

Application	Wrap Around Labelling
Product Sizes	Ø 40 - 70 mm, Length 100 - 400 mm
Machine Length	2000 mm
Variants	Left / Right or Right / Left
Max Label Size	Length 250 mm, Width 180 mm
Performance	40 - 50 packages per minute

Non-standard variants on request



ES 1510

Fully Automatic Wrap Around Labelling

Bottles, cans, cups, buckets and glass jars are the “customers” of the ES 1510. Construction and system components are eminent for the labelling quality, especially for the wrap around labelling.

The ES 1510 is equipped by a separation station as a standard and thereby optimally prepared for the integration in a filling and sealing line.

A precise label placement is granted by the user friendly adjusting device and the intuitive menu guidance: “Best results are our standard”.



ES 1510

Application	Wrap Around Labelling
Product Sizes	Ø 40 - 90 or 40 - 120 mm
Max Label Width	200 mm
Machine Length	2000 mm
Variants	Left / Right or Right / Left
Conveyor Speed	25 m / min.
Special Variant	Alignment Station for the accurate label placement at a significant position on the product

Non-standard variants on request



ES 1620



Fully Automatic Labelling from two Sides

Connecting single machines to a complete line requires perfectly designed interfaces to reach an optimum result. ESPERA places great importance on the design of these transitions.

Therefore the product infeed of the ES 1620 can be realised by a separation station or by a feeding auger depending on the required performance.

Driven pressure rolls or pressure pads and the optional available angle adjustment guarantee a perfect label placement as well as a contour parallel labelling.

A special version of the ES 1620 is available for the precise labelling of oval products.



ES 1620

Application	Labelling from two sides
Product Sizes	Width 30 - 100 mm, Height 70 - 370 mm
Machine Length	2750 mm
Variants	Left / Right or Right / Left
Max Label Size	Length 300 mm, Width 180 mm
Conveyor Speed	25 m / min.
Special Variant	e.g. for oval packages

Non-standard variants on request



Options

Special products require special solutions. The detection of translucent labels is realised by particular ultra-sonic sensors.

Therefore the ES 1000 series offers a maximum of options:

- Thermal Transfer Printer, Hot Foil Coder
- Angle adjustment of label head for lateral labelling
- Prewarning "End of Label Roll"
- a.s.o.

Ask for the possibilities!



Sensor for the control of a printed barcode.

Printing Systems

A high degree of the labels' individuality can be achieved by the use of additional printing systems.

ESPERA offers many possibilities: Thermal transfer, hot foil coder and further printing technologies.

The design of the label heads as well as the construction of the ES 1000 machines result in a maximum of integration possibilities.



ESPERA-WERKE GMBH

Postbox 10 04 55 • D-47004 Duisburg
Tel. ++49(0)203/30 54 - 0 • Fax ++49(0)203/30 54 - 275
info@espera.com • www.espera.com